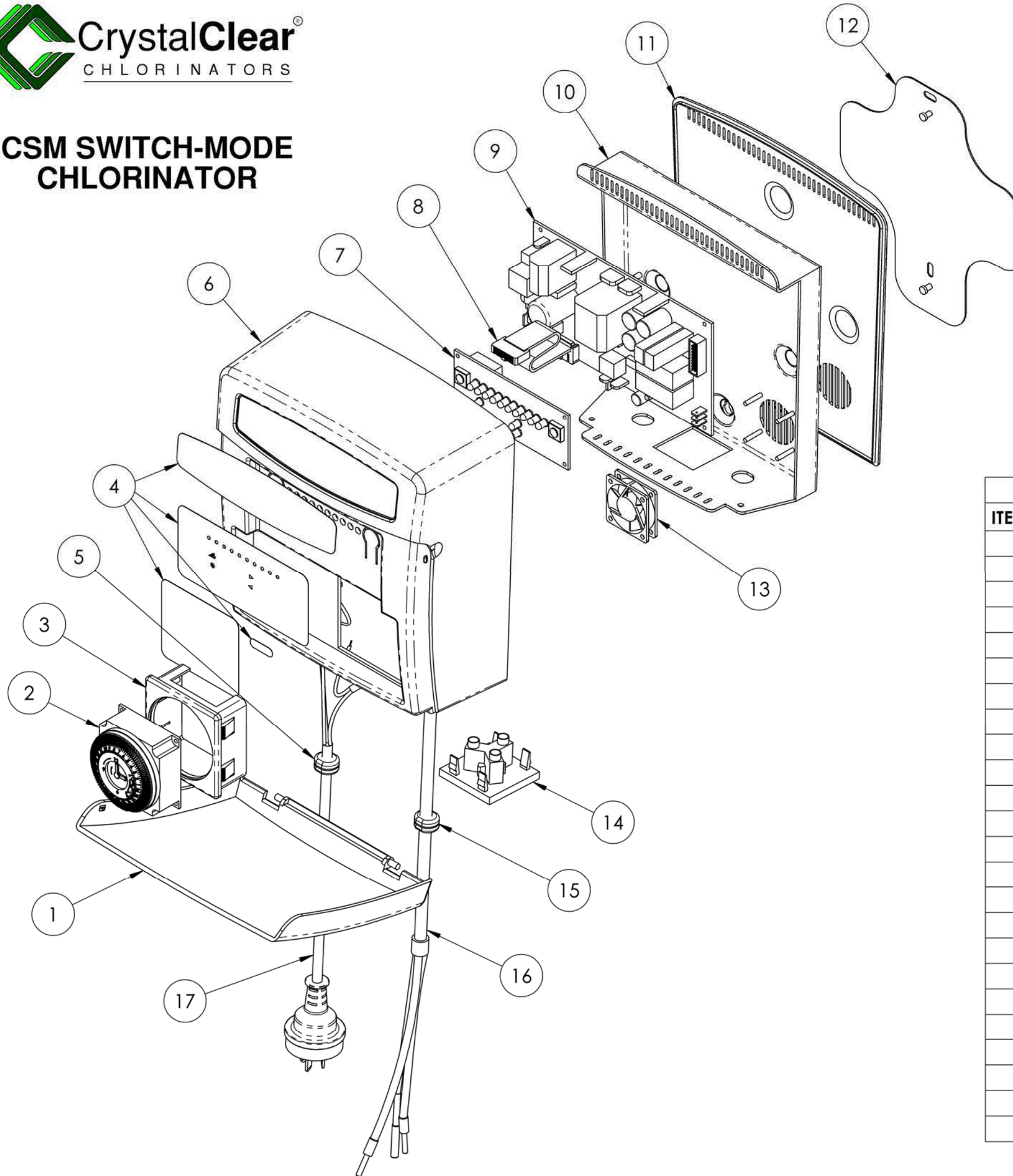
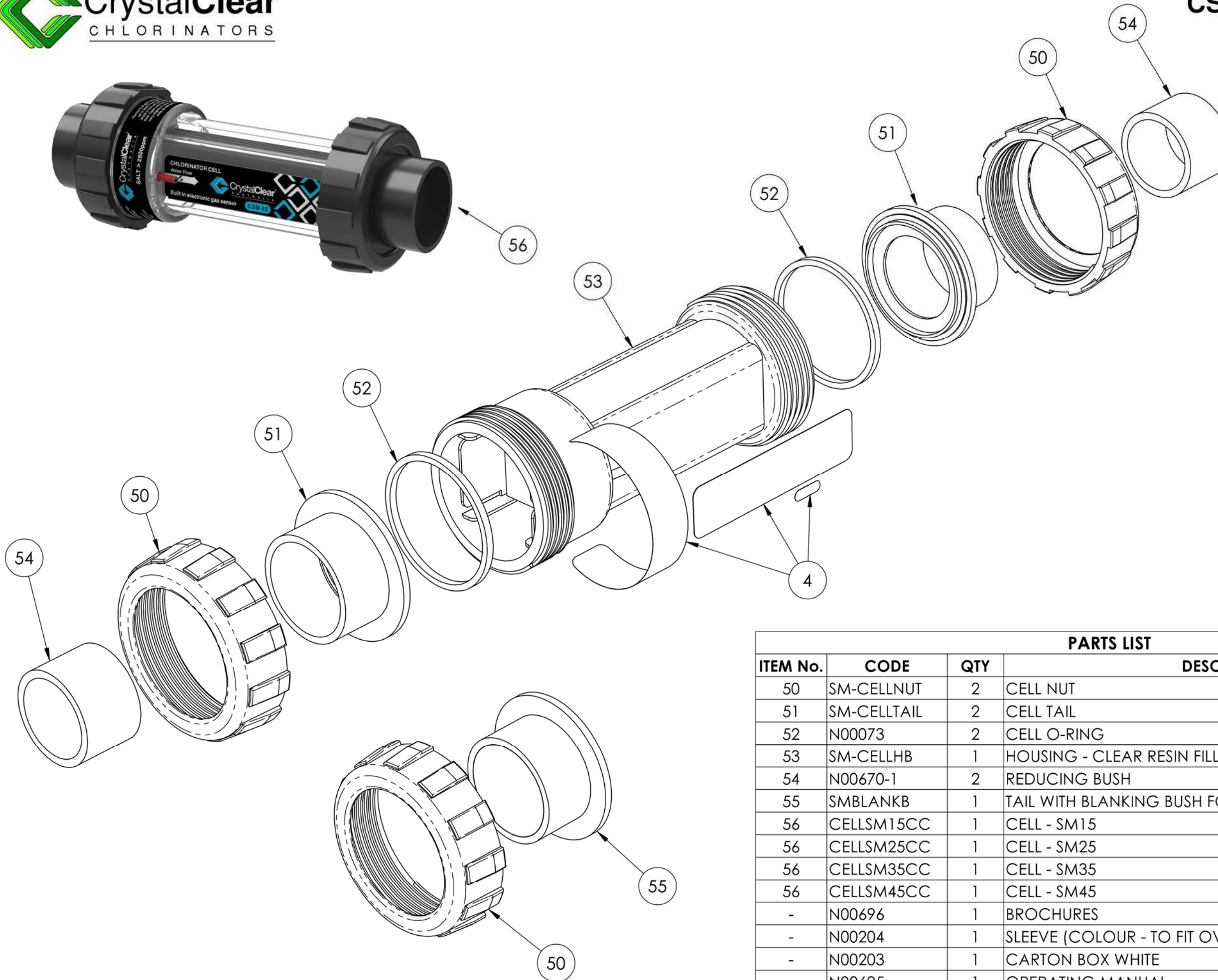


# CSM SWITCH-MODE CHLORINATOR



PARTS LIST			
ITEM No.	CODE	QTY	DESCRIPTION
1	N00659	1	ACRYLIC FRONT
2	N00414	1	TIMER-QUARTZ BATTERY BACK-UP
3	N00029	1	TIMER BRACKET
4	N00061	1	STICKER SET
5	N00034	1	GROMMET POWER CORD
6	N00643	1	OUTER CASE
7	N0031	1	CONTROL PCB - CSM15
7	N00415	1	CONTROL PCB - CSM25
7	N00416	1	CONTROL PCB - CSM35
7	N00417	1	CONTROL PCB - CSM45
8	SMPCBCAB	1	CONNECTOR CABLE
9	N00173	1	MAIN POWER SUPPLY PCB
10	SMALC	1	ALUMINIUM CASING
11	N00644	1	BACKING PLATE
12	N00182	1	MOUNTING BRACKET
13	N00323	1	COOLING FAN
14	N00001	1	AC SOCKET
15	N00411	1	GROMMET SM CELL CABLE
16	N00237	1	CELL CABLE C/W BRASSWARE
17	SMPCORD	1	POWER CORD
18	CSM15PP-M	1	COMPLETE CSM15 POWER PACK
18	CSM25PP-M	1	COMPLETE CSM25 POWER PACK
18	CSM35PP-M	1	COMPLETE CSM35 POWER PACK
18	CSM45PP-M	1	COMPLETE CSM45 POWER PACK

# CSM SWITCH-MODE CHLORINATOR



PARTS LIST			
ITEM No.	CODE	QTY	DESCRIPTION
50	SM-CELLNUT	2	CELL NUT
51	SM-CELLTAIL	2	CELL TAIL
52	N00073	2	CELL O-RING
53	SM-CELLHB	1	HOUSING - CLEAR RESIN FILLED (CAN BE USED AS A BLANK)
54	N00670-1	2	REDUCING BUSH
55	SMBLANKB	1	TAIL WITH BLANKING BUSH FOR CELL CLEANING CAP
56	CELLSM15CC	1	CELL - SM15
56	CELLSM25CC	1	CELL - SM25
56	CELLSM35CC	1	CELL - SM35
56	CELLSM45CC	1	CELL - SM45
-	N00696	1	BROCHURES
-	N00204	1	SLEEVE (COLOUR - TO FIT OVER WHITE CARTON)
-	N00203	1	CARTON BOX WHITE
-	N00695	1	OPERATING MANUAL